

150V N-Ch Power MOSFET

Feature

- ◇ High Speed Power Smooth Switching
- ◇ Enhanced Body diode dv/dt capability
- ◇ Enhanced Avalanche Ruggedness
- ◇ 100% UIS Tested, 100% Rg Tested
- ◇ Lead Free

Application

- ◇ Synchronous Rectification in SMPS
- ◇ Hard Switching and High Speed Circuit
- ◇ Power Tools
- ◇ UPS
- ◇ Motor Control

| | | | |
|-------------------------|--------|-----|----|
| V_{DS} | | 150 | V |
| $R_{DS(on),TYP}$ | TO-263 | 5.3 | mΩ |
| $R_{DS(on),TYP}$ | TO-247 | 5.4 | mΩ |
| $R_{DS(on),TYP}$ | TO-220 | 5.5 | mΩ |
| I_D (Silicon Limited) | | 161 | A |

| Part Number | Package | Marking |
|-------------|---------|-----------|
| HGB057N15S | TO-263 | GB057N15S |
| HGK057N15S | TO-247 | GK057N15S |
| HGP057N15S | TO-220 | GP057N15S |

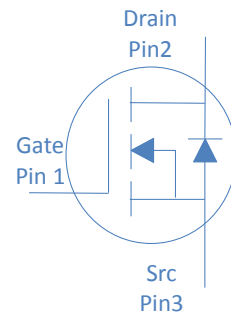
TO-263



TO-220



TO-247



Absolute Maximum Ratings at $T_j=25^\circ\text{C}$ (unless otherwise specified)

| Parameter | Symbol | Conditions | Value | Unit |
|--|----------------|--|------------|------------------|
| Continuous Drain Current (Silicon Limited) | I_D | $T_C=25^\circ\text{C}$ | 161 | A |
| | | $T_C=100^\circ\text{C}$ | 114 | |
| Drain to Source Voltage | V_{DS} | - | 150 | V |
| Gate to Source Voltage | V_{GS} | - | ± 20 | V |
| Pulsed Drain Current | I_{DM} | - | 550 | A |
| Avalanche Energy, Single Pulse | E_{AS} | $L=0.4\text{mH}, T_C=25^\circ\text{C}$ | 720 | mJ |
| Power Dissipation | P_D | $T_C=25^\circ\text{C}$ | 357 | W |
| Operating and Storage Temperature | T_J, T_{stg} | - | -55 to 175 | $^\circ\text{C}$ |

Absolute Maximum Ratings

| Parameter | Symbol | Max | Unit |
|-------------------------------------|-----------------|------|--------------------|
| Thermal Resistance Junction-Case | $R_{\theta JC}$ | 0.42 | $^\circ\text{C/W}$ |
| Thermal Resistance Junction-Ambient | $R_{\theta JA}$ | 60 | $^\circ\text{C/W}$ |

Electrical Characteristics at $T_j=25^\circ\text{C}$ (unless otherwise specified)
Static Characteristics

| Parameter | Symbol | Conditions | Value | | | Unit | |
|-----------------------------------|---------------|---|--------|-----|-----------|----------|------------|
| | | | min | typ | max | | |
| Drain to Source Breakdown Voltage | $V_{(BR)DSS}$ | $V_{GS}=0V, I_D=250\mu A$ | 150 | - | - | V | |
| Gate Threshold Voltage | $V_{GS(th)}$ | $V_{GS}=V_{DS}, I_D=250\mu A$ | 2 | 3 | 4 | | |
| Zero Gate Voltage Drain Current | I_{DSS} | $V_{GS}=0V, V_{DS}=150V, T_j=25^\circ\text{C}$ | - | - | 1 | μA | |
| | | $V_{GS}=0V, V_{DS}=150V, T_j=100^\circ\text{C}$ | - | - | 100 | | |
| Gate to Source Leakage Current | I_{GSS} | $V_{GS}=\pm 20V, V_{DS}=0V$ | - | - | ± 100 | nA | |
| Drain to Source on Resistance | $R_{DS(on)}$ | $V_{GS}=10V, I_D=20A$ | TO-263 | - | 5.3 | 5.7 | m Ω |
| | | | TO-247 | - | 5.4 | 6 | |
| | | | TO-220 | - | 5.5 | 6 | |
| Transconductance | g_{fs} | $V_{DS}=5V, I_D=20A$ | - | 80 | - | S | |
| Gate Resistance | R_G | $V_{GS}=0V, V_{DS}$ Open, $f=1\text{MHz}$ | - | 2.7 | - | Ω | |

Dynamic Characteristics

| | | | | | | |
|-------------------------------|--------------|--|---|------|---|----|
| Input Capacitance | C_{iss} | $V_{GS}=0V, V_{DS}=75V, f=1\text{MHz}$ | - | 6328 | - | pF |
| Output Capacitance | C_{oss} | | - | 463 | - | |
| Reverse Transfer Capacitance | C_{rss} | | - | 7.5 | - | |
| Total Gate Charge | Q_g | $V_{DD}=75V, I_D=20A, V_{GS}=10V$ | - | 80 | - | nC |
| Gate to Source Charge | Q_{gs} | | - | 28 | - | |
| Gate to Drain (Miller) Charge | Q_{gd} | | - | 12 | - | |
| Turn on Delay Time | $t_{d(on)}$ | $V_{DD}=75V, I_D=20A, V_{GS}=10V, R_G=10\Omega,$ | - | 27 | - | ns |
| Rise time | t_r | | - | 21 | - | |
| Turn off Delay Time | $t_{d(off)}$ | | - | 38 | - | |
| Fall Time | t_f | | - | 14 | - | |

Reverse Diode Characteristics

| | | | | | | |
|-------------------------|----------|--|---|-----|-----|----|
| Diode Forward Voltage | V_{SD} | $V_{GS}=0V, I_F=20A$ | - | 0.9 | 1.2 | V |
| Reverse Recovery Time | t_{rr} | $V_R=75V, I_F=20A, di_F/dt=100A/\mu s$ | - | 80 | - | ns |
| Reverse Recovery Charge | Q_{rr} | | - | 160 | - | nC |

Fig 1. Typical Output Characteristics

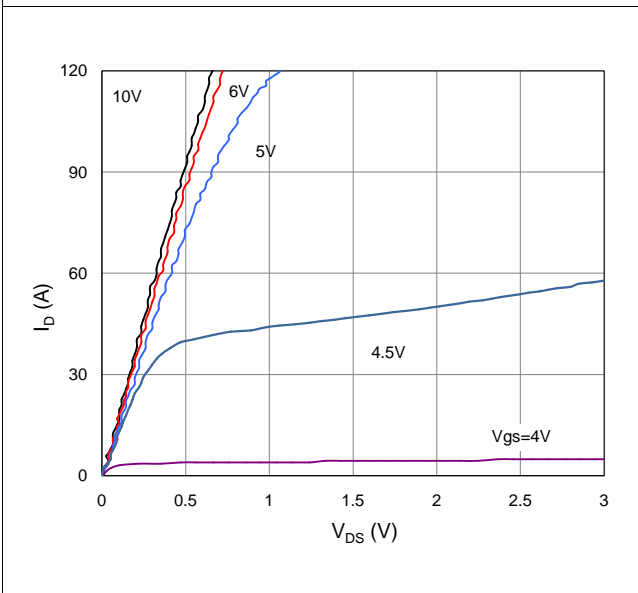


Figure 2. On-Resistance vs. Gate-Source Voltage

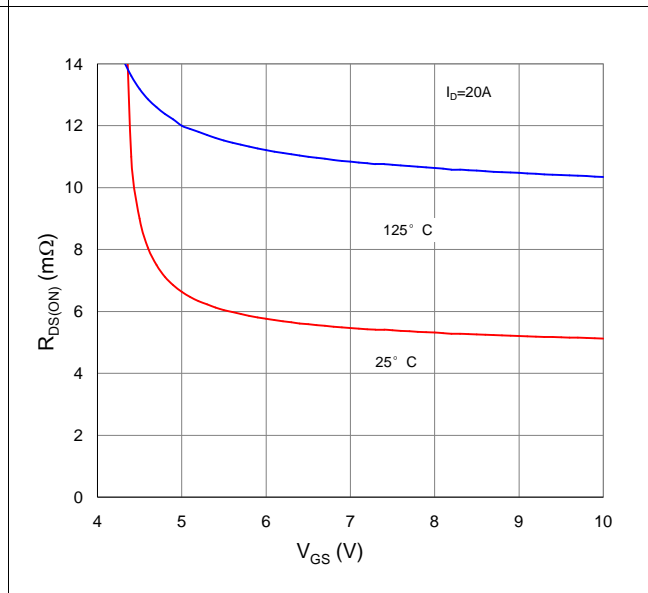


Figure 3. On-Resistance vs. Drain Current and Gate Voltage

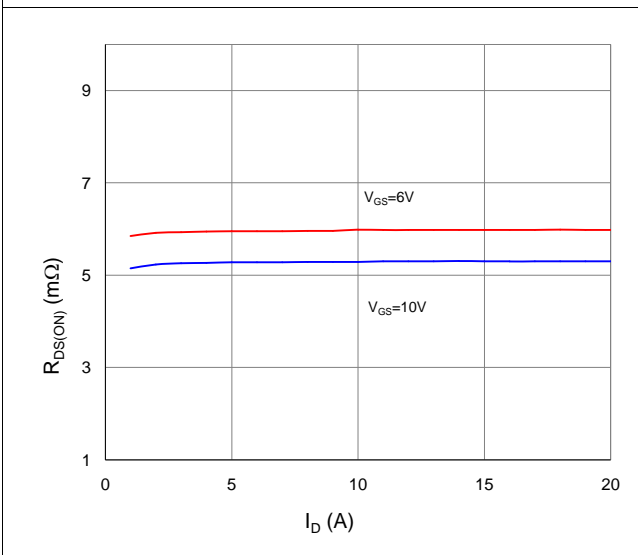


Figure 4. Normalized On-Resistance vs. Junction Temperature

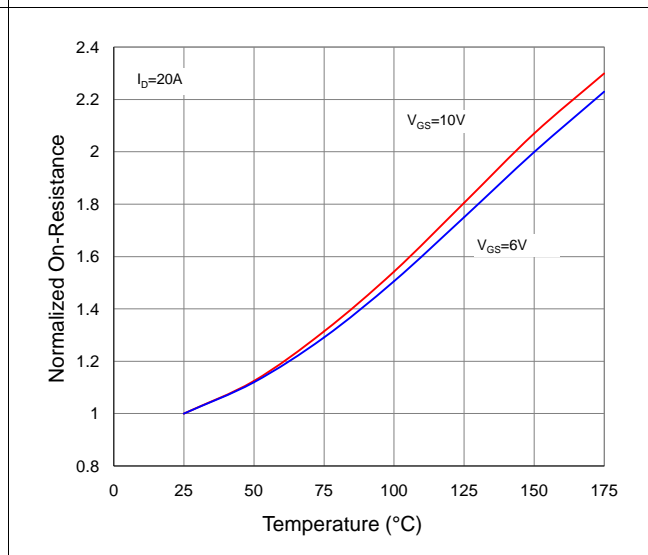


Figure 5. Typical Transfer Characteristics

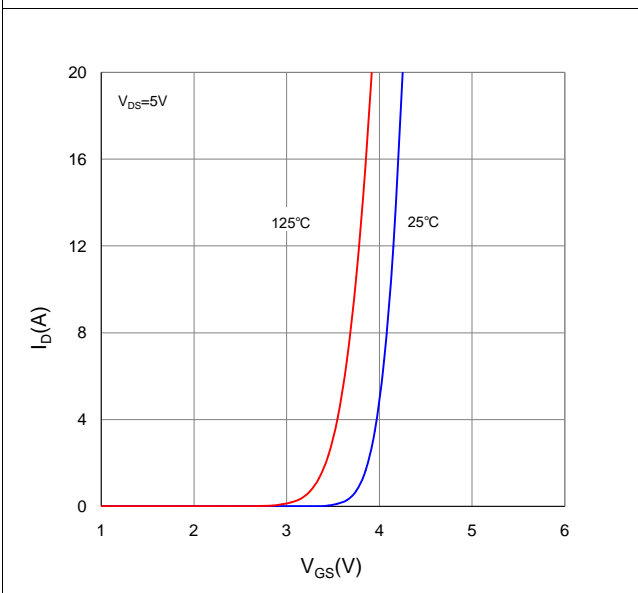


Figure 6. Typical Source-Drain Diode Forward Voltage

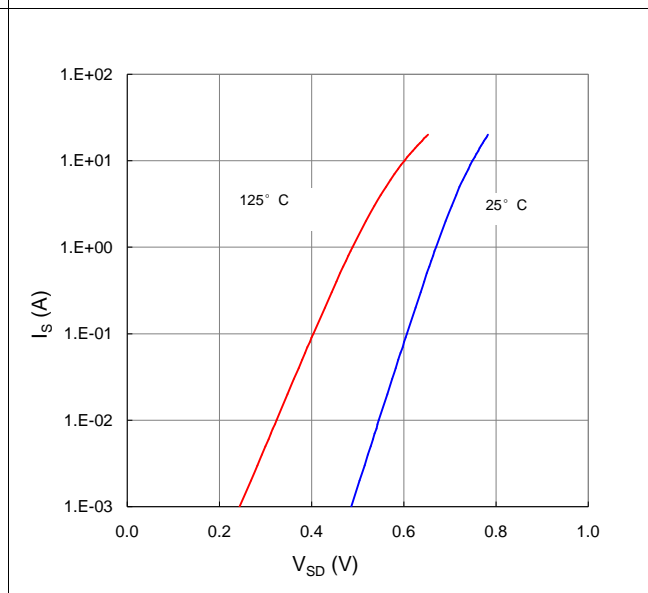


Figure 7. Typical Gate-Charge vs. Gate-to-Source Voltage

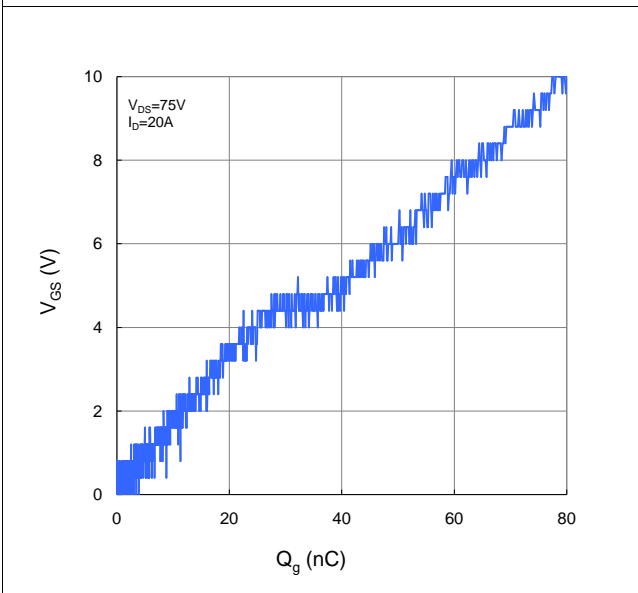


Figure 8. Typical Capacitance vs. Drain-to-Source Voltage

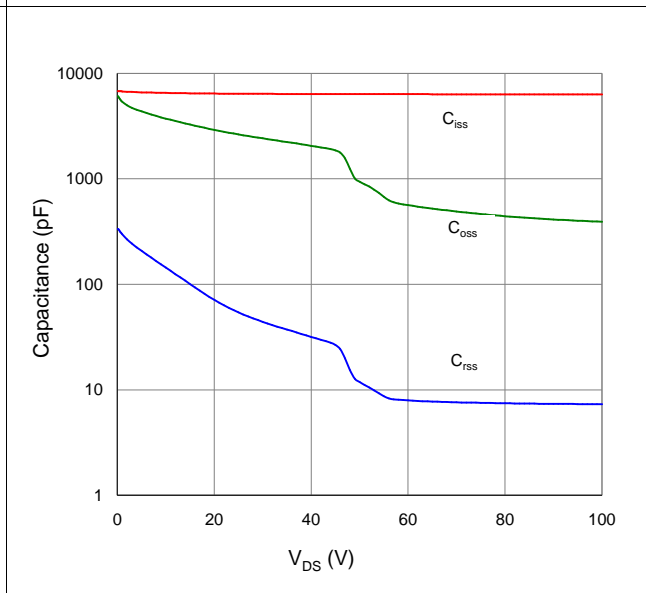


Figure 9. Maximum Safe Operating Area

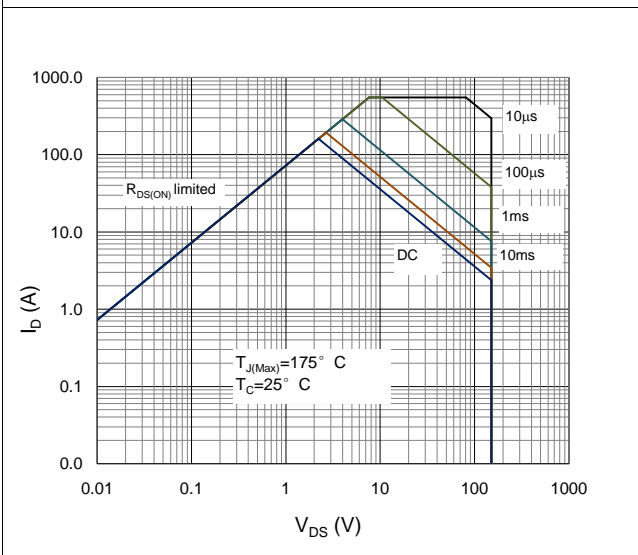


Figure 10. Maximum Drain Current vs. Case Temperature

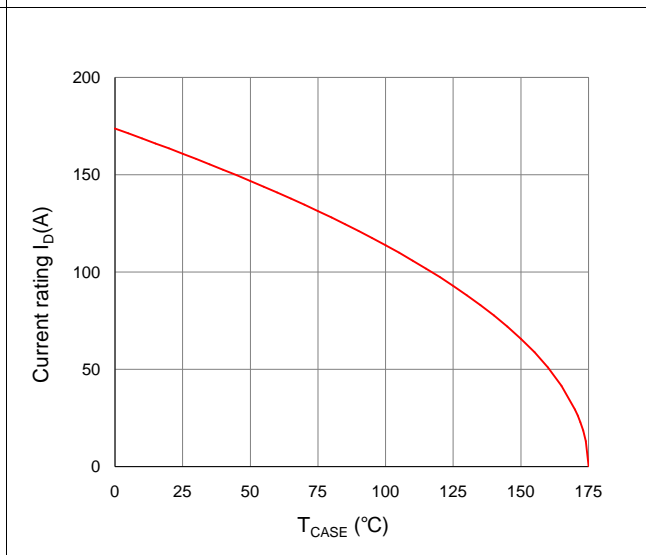
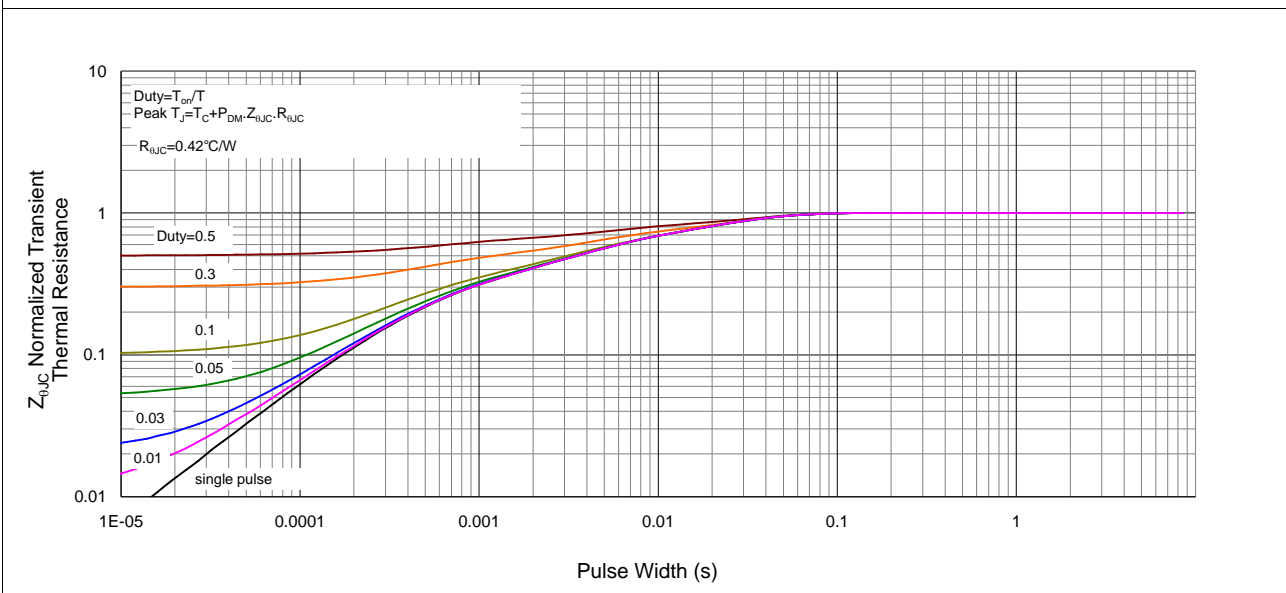
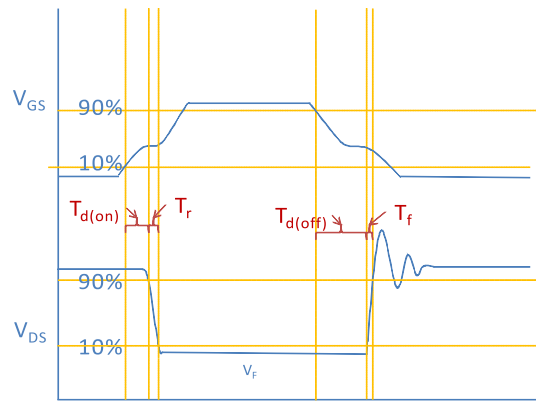
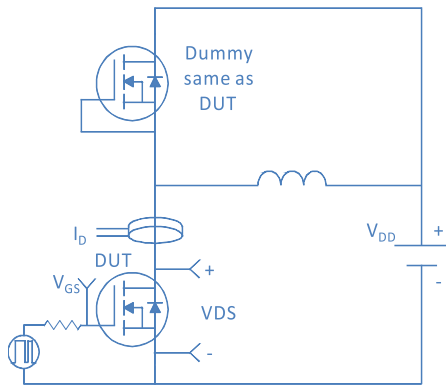


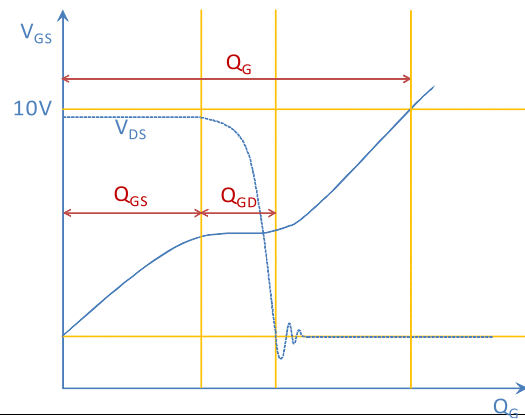
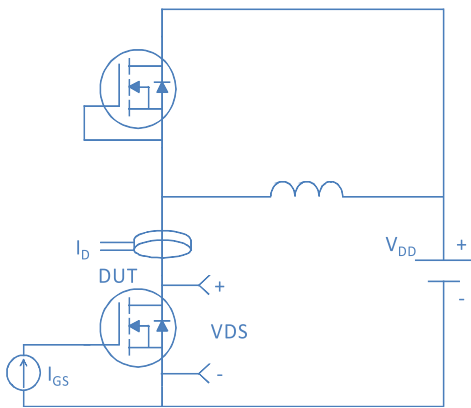
Figure 11. Normalized Maximum Transient Thermal Impedance, Junction-to-Case



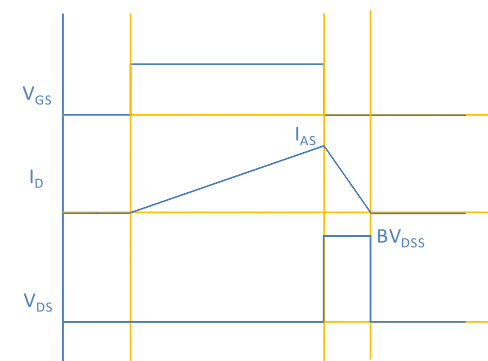
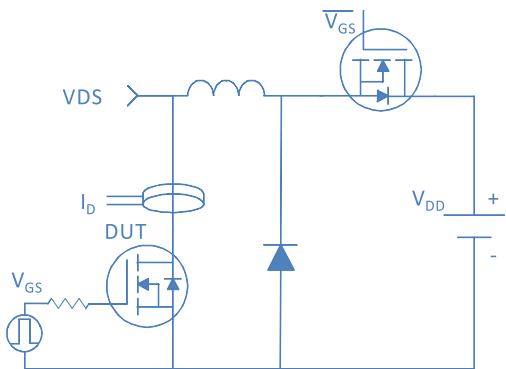
Inductive switching Test



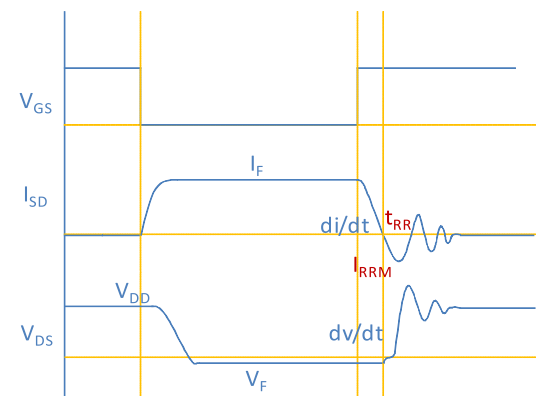
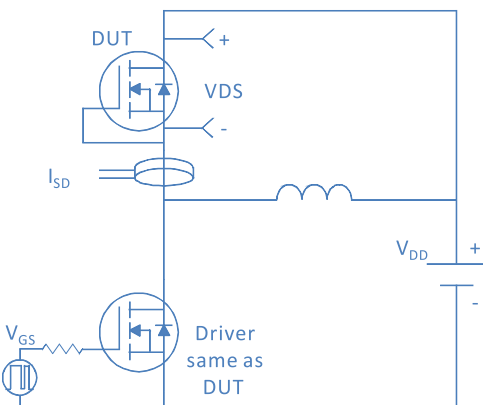
Gate Charge Test



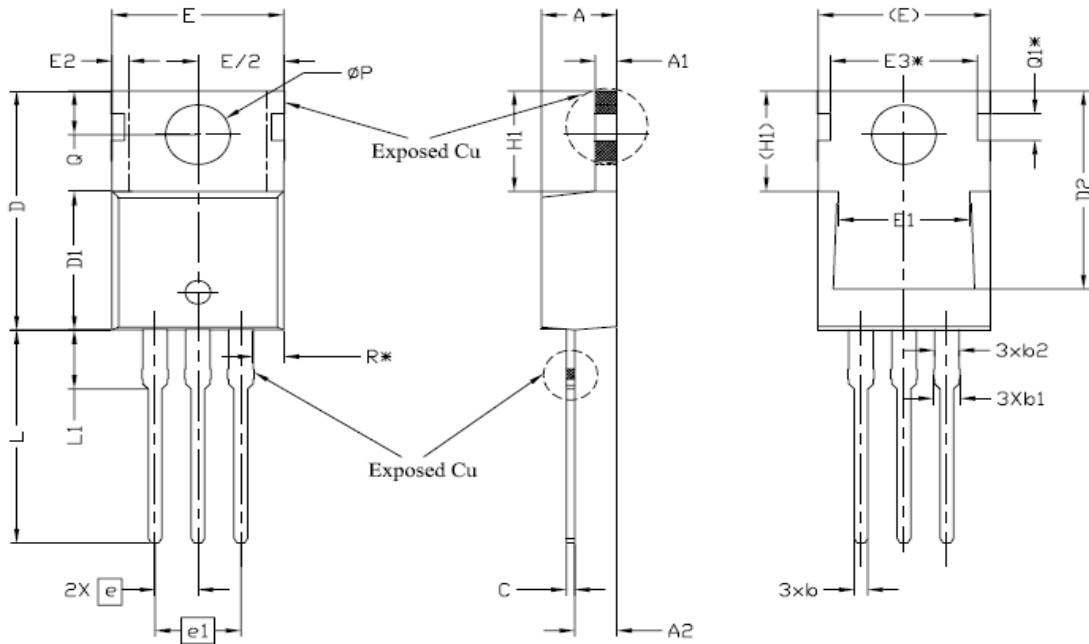
Uclamped Inductive Switching (UIS) Test



Diode Recovery Test

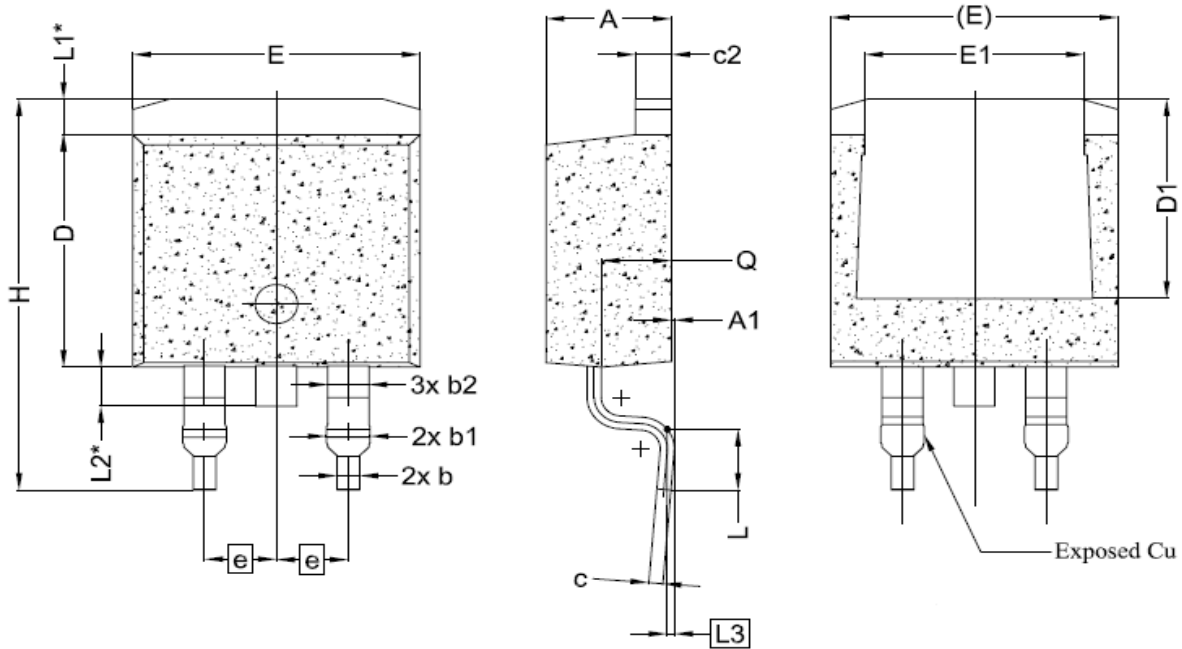


TO-220, 3 leads



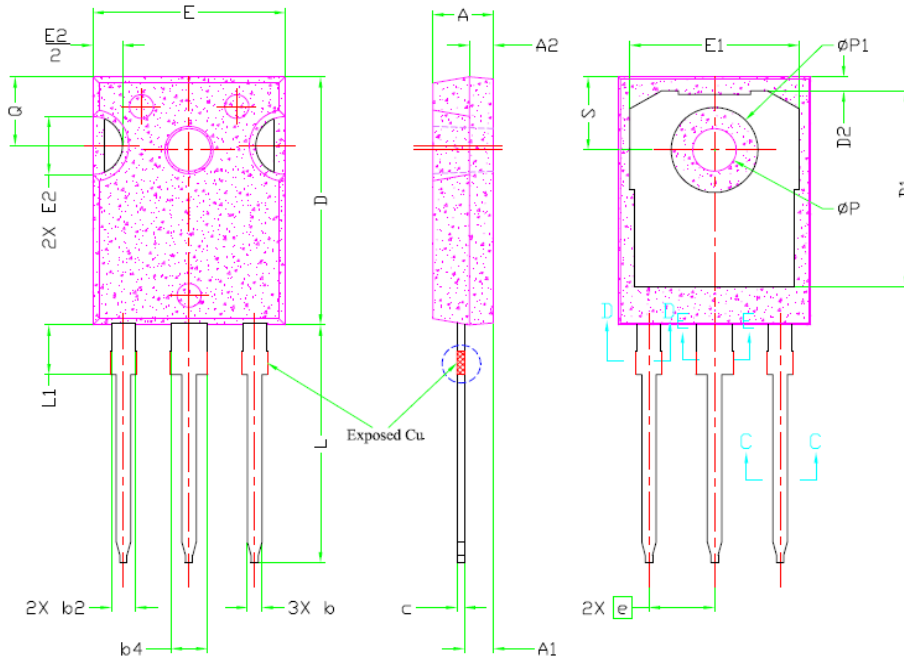
| SYMBOL | DIMENSIONS | | | NOTES |
|--------|------------|-------|-------|-------|
| | MIN. | NOM. | MAX. | |
| A | 4,24 | 4,44 | 4,64 | |
| A1 | 1,15 | 1,27 | 1,40 | |
| A2 | 2,30 | 2,48 | 2,70 | |
| b | 0,70 | 0,80 | 0,90 | |
| b1 | 1,20 | 1,55 | 1,75 | |
| b2 | 1,20 | 1,45 | 1,70 | |
| c | 0,40 | 0,50 | 0,60 | |
| D | 14,70 | 15,37 | 16,00 | 4 |
| D1 | 8,82 | 8,92 | 9,02 | |
| D2 | 12,63 | 12,73 | 12,83 | 5 |
| E | 9,96 | 10,16 | 10,36 | 4,5 |
| E1 | 6,86 | 7,77 | 8,89 | 5 |
| E2 | - | - | 0,76 | 6 |
| E3* | 8,70REF. | | | |
| e | 2,54BSC | | | |
| e1 | 5,08BSC | | | |
| H1 | 6,30 | 6,45 | 6,60 | 5,6 |
| L | 13,47 | 13,72 | 13,97 | |
| L1 | 3,60 | 3,80 | 4,00 | |
| øP | 3,75 | 3,84 | 3,93 | |
| Q | 2,60 | 2,80 | 3,00 | |
| Q1* | 1,73REF. | | | |
| R* | 1,82REF. | | | |

TO-263, 3 leads



| SYMBOL | DIMENSIONS | | |
|--------|------------|-------|-------|
| | MIN. | NOM. | MAX. |
| A | 4.24 | 4.44 | 4.64 |
| A1 | 0.00 | 0.10 | 0.25 |
| b | 0.70 | 0.80 | 0.90 |
| b1 | 1.20 | 1.55 | 1.75 |
| b2 | 1.20 | 1.45 | 1.70 |
| c | 0.40 | 0.50 | 0.60 |
| c2 | 1.15 | 1.27 | 1.40 |
| D | 8.82 | 8.92 | 9.02 |
| D1 | 6.86 | 7.65 | — |
| E | 9.96 | 10.16 | 10.36 |
| E1 | 6.89 | 7.77 | 7.89 |
| e | 2.54 BSC | | |
| H | 14.61 | 15.00 | 15.88 |
| L | 1.78 | 2.32 | 2.79 |
| L1 | 1.36 REF. | | |
| L2 | 1.50 REF. | | |
| L3 | 0.25 BSC | | |
| Q | 2.30 | 2.48 | 2.70 |

TO-247, 3 leads



| SYMBOL | DIMENSIONS | | | NOTES |
|--------|------------|-------|-------|-------|
| | MIN. | NOM. | MAX. | |
| A | 4,83 | 5,02 | 5,21 | |
| A1 | 2,29 | 2,41 | 2,55 | |
| A2 | 1,50 | 2,00 | 2,49 | |
| b | 1,12 | 1,20 | 1,33 | |
| b1 | 1,12 | 1,20 | 1,28 | |
| b2 | 1,91 | 2,00 | 2,39 | 6 |
| b3 | 1,91 | 2,00 | 2,34 | |
| b4 | 2,87 | 3,00 | 3,22 | 6, 8 |
| b5 | 2,87 | 3,00 | 3,18 | |
| c | 0,55 | 0,60 | 0,69 | 6 |
| c1 | 0,55 | 0,60 | 0,65 | |
| D | 20,80 | 20,95 | 21,10 | 4 |
| D1 | 16,25 | 16,55 | 17,65 | 5 |
| D2 | 0,51 | 1,19 | 1,35 | |
| E | 15,75 | 15,94 | 16,13 | 4 |
| E1 | 13,46 | 14,02 | 14,16 | 5 |
| E2 | 4,32 | 4,91 | 5,49 | 3 |
| e | 5,44BSC | | | |
| L | 19,81 | 20,07 | 20,32 | |
| L1 | 4,10 | 4,19 | 4,40 | 6 |
| ØP | 3,56 | 3,61 | 3,65 | 7 |
| ØP1 | 7,19REF. | | | |
| Q | 5,39 | 5,79 | 6,20 | |
| S | 6,04 | 6,17 | 6,30 | |